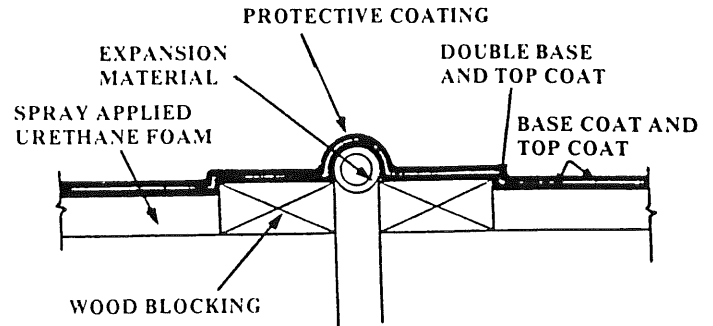
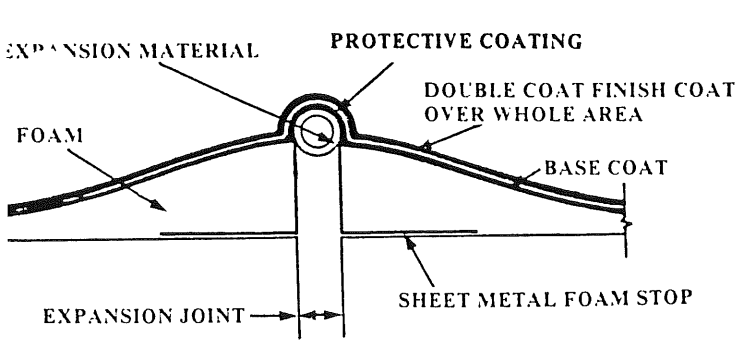
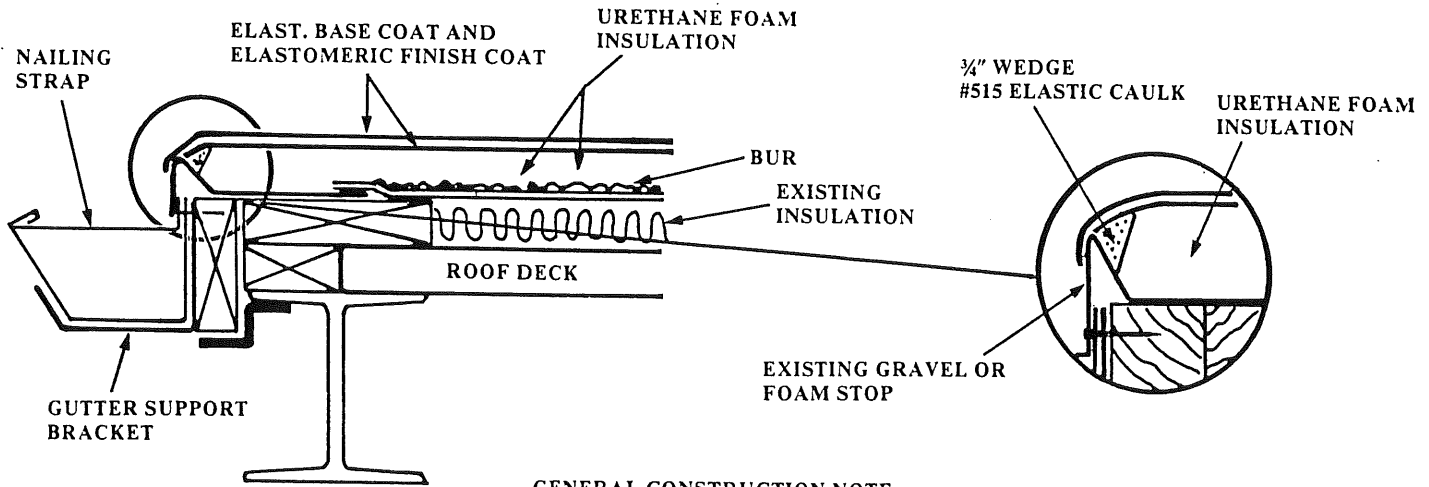


# EXPANSION JOINT



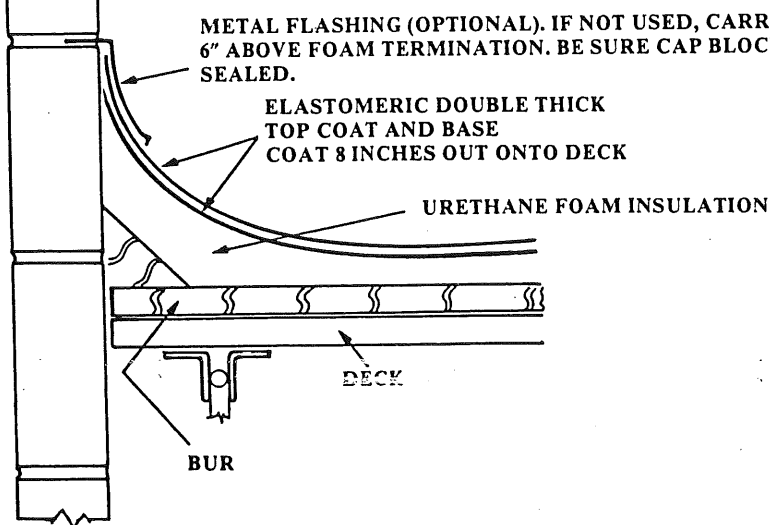
## "BULL NOSE" GUTTER DETAIL



GENERAL CONSTRUCTION NOTE:  
ALL COATINGS TO BE DOUBLE THICK 8" BACK FROM THE EDGE OF ANY DETAIL.

12

## PARAPET WALL DETAIL



## SOIL STACK or VENT

